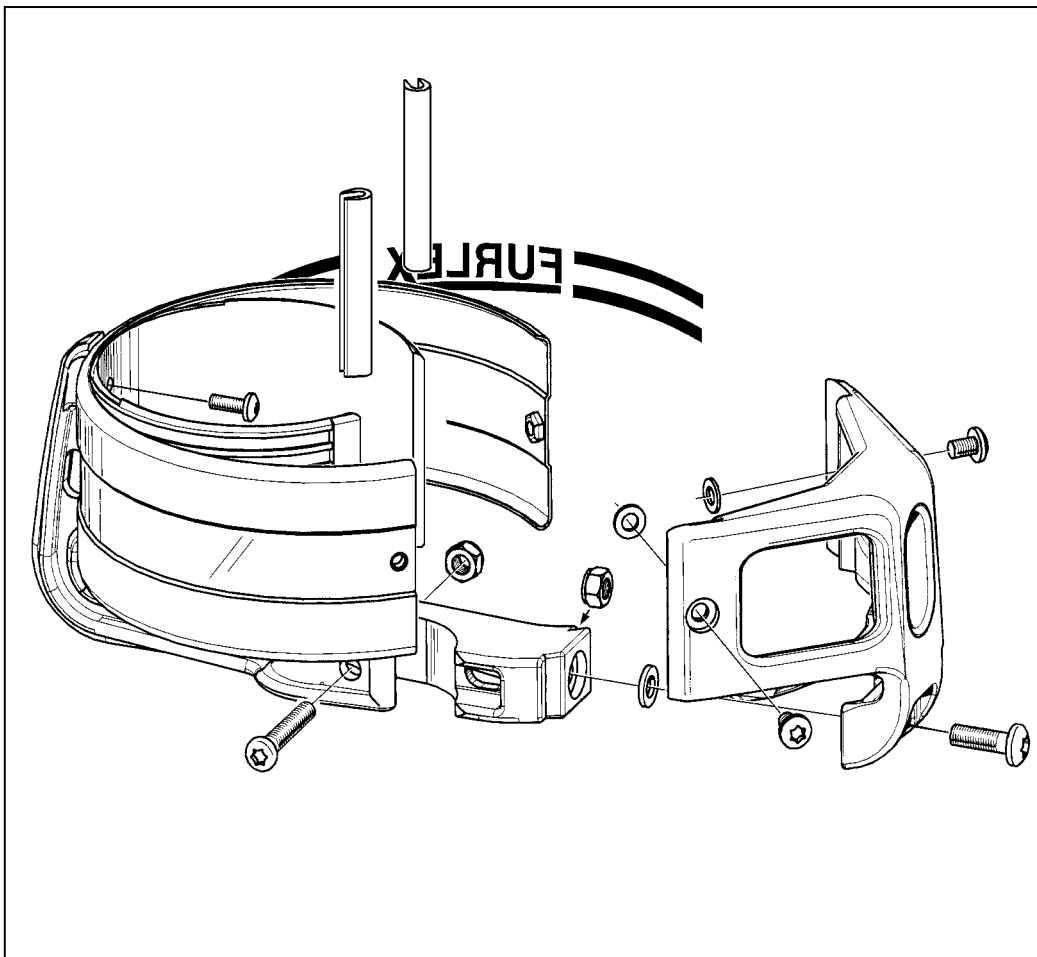


FURLEX

SELDÉN

Spare Parts List Furlex 100 S



SELDÉN

Bäste Furlex-ägare

Furlex säljs genom ett nät av auktoriserade återförsäljare som täcker alla marina marknader runt om i världen.

Auktorisationen omfattar praktisk och teoretisk utbildning i hur Furlex-systemet är uppbyggt.

Denna kunskap innebär professionell service till Dig som Furlex-ägare.

Vi önskar dig mycket skön segling och hoppas att denna reservdelslista kan vara till nytta om du någon gång behöver kontakta en återförsäljare för professionella råd eller assistans.

Dear Furlex-owner

Furlex is supplied via an extensive network of authorized dealers who cover the major sailing areas of the world.

The authorization ensures that each dealer is fully versed in the design, assembly and operation of Furlex - and is a guarantee of professional service. We wish you much enjoyable and carefree sailing and hope that this spare part list will be of help if you ever require professional advice or assistance.

Lieber Furlex-Eigner

Furlex wird über ein Netz autorisierter Fachhändler weltweit in allen Segelregionen verkauft.

Die Autorisierung dieser Fachhändler erfolgt durch eine theoretische und praktische Schulung im Aufbau des Furlex-Systems.

Dieses Können gewährleistet Ihnen als Furlex-Besitzer professionellen Service.

Wir wünschen Ihnen ein angenehmes Segeln und hoffen, daß Ihnen dieses Ersatzteilverzeichnis hilft bei eventuellem Bedarf eines Rates oder professioneller Hilfe.



OBS!

Plocka ej isär fallsvirveln eller nedre lagringsdelen. Det kan vara svårt att återmontera dessa delar på ett korrekt sätt. Bland annat ligger lagerbanornas kulor löst monterade. Vid behov av service, kontakta din Furlexåterförsäljare.



NOTE!

Do not dismantle the halyard swivel or lower bearing assembly. You will find it difficult to re-assemble them correctly (the ball-bearings are loose and difficult to refit!). Contact your Furlex dealer if service is required.



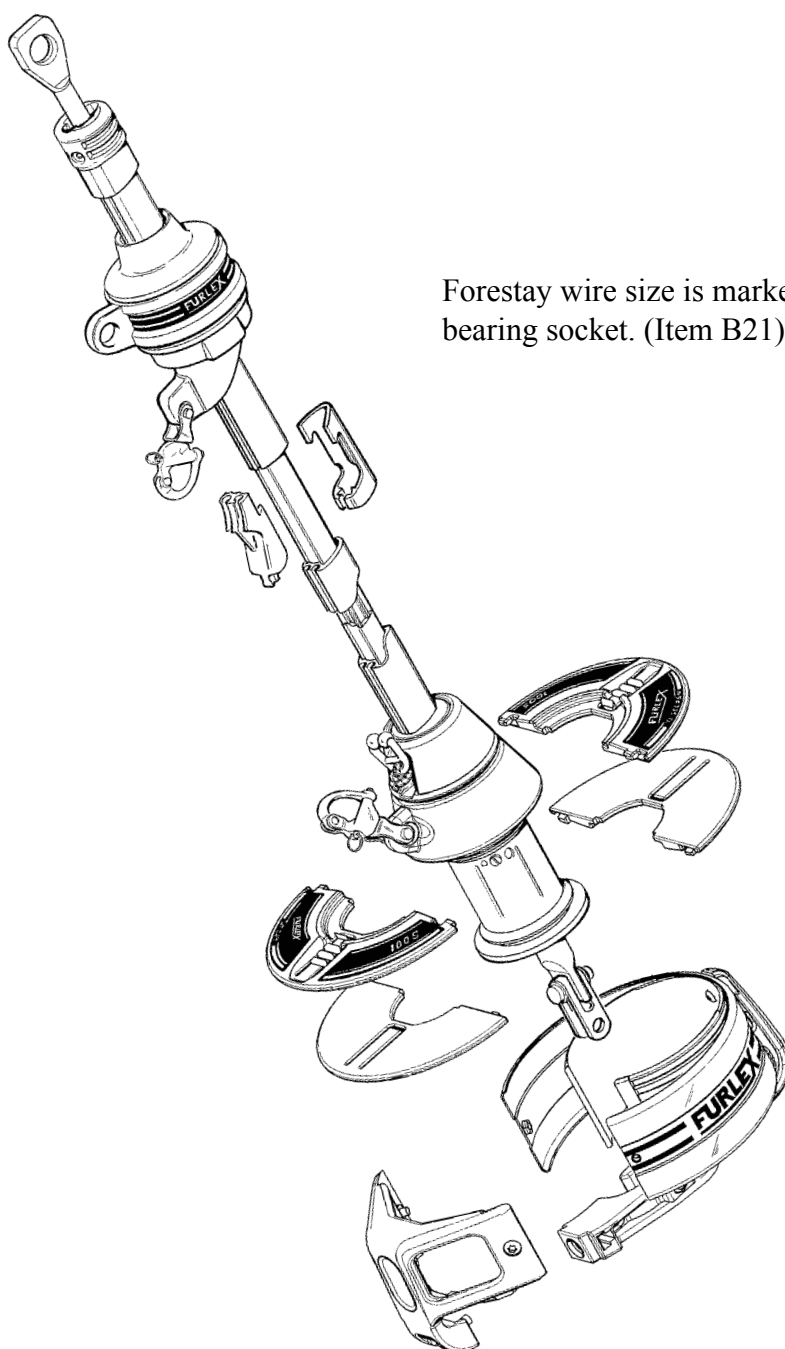
ACHTUNG!

Nehmen Sie den Fallschlitten oder die untere Lagerung nicht auseinander. Es ist schwer diese wieder korrekt zu montieren. Unter anderem liegen die Kugeln lose montiert. Wenden Sie sich bei Bedarf an Ihren Furlex- Händler.

Seldén Mast AB reserves the right to alter the design or specification without prior warning; to allow unrestricted future product development.

Contents

	Page
Halyard swivel	4
Lower swivel	6
Line guard bracket assembly	10
Line guide fitting assembly	10
Additional Items	12
Luff extrusions	14



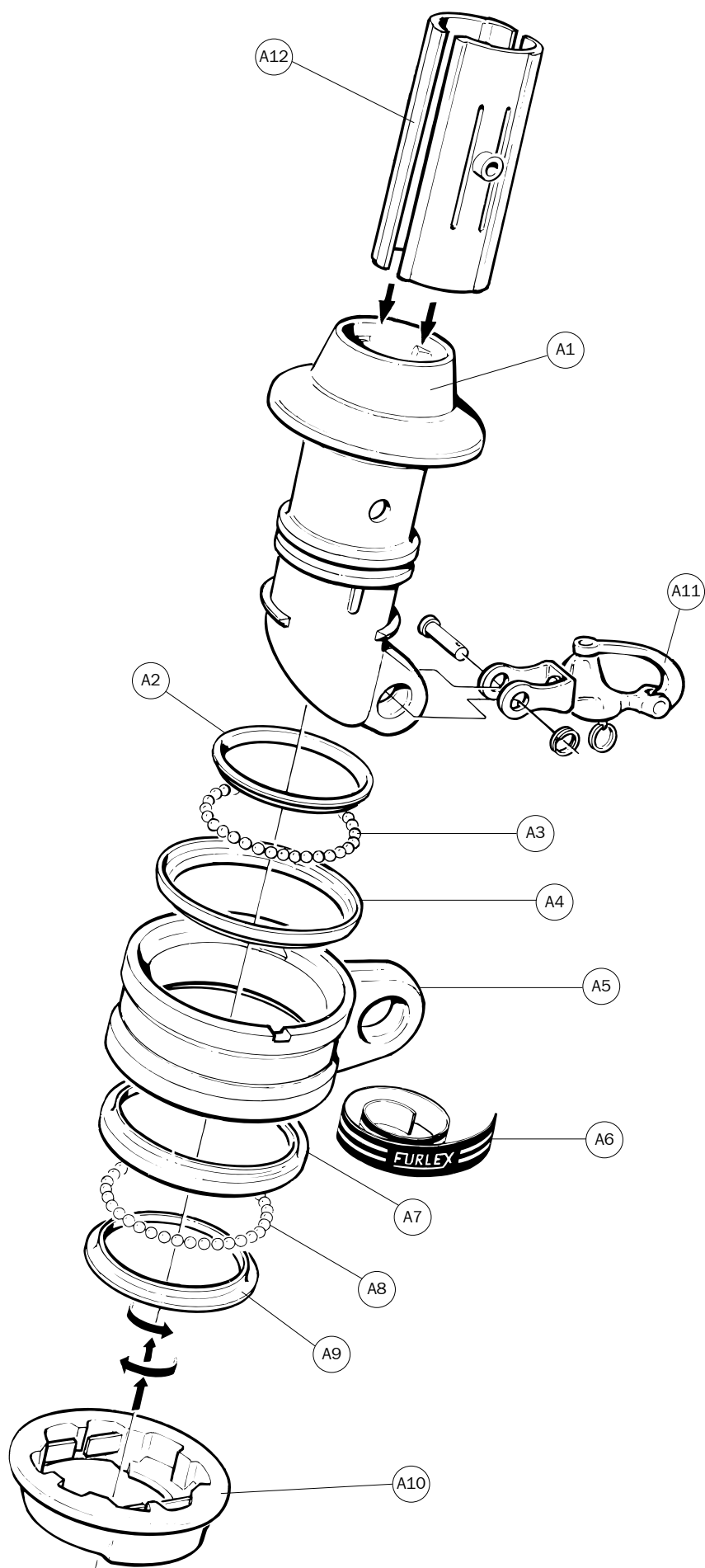
Forestay wire size is marked at the ball bearing socket. (Item B21)

Halyard swivel

Description A

Item	Description	Dimension	Qty	Forestay wire size		
				Ø4mm	Ø5mm	Ø6mm
		Assembly number	→	539-301-01	539-301-01	539-323-01
A1	Hub - Halyard swivel	Ø70x130	1	539-301	539-301	539-323
A2	Ball bearing ring - inner	Ø57x7	1	539-309	539-309	539-309
A3	Balls	Ø6	27	539-034	539-034	539-034
A4	Ball bearing ring - outer	Ø62x11	1	539-310	539-310	539-310
A5	Eye Ring	Ø72x35	1	539-322 ¹⁾	539-322 ¹⁾	539-322 ¹⁾
A6	Label - Eye Ring	10x190	1	591-345	591-345	591-345
A7	Ball bearing ring - outer	Ø62x11	1	539-310	539-310	539-310
A8	Balls	Ø6	27	539-034	539-034	539-034
A9	Ball bearing ring - inner	Ø57x7	1	539-309	539-309	539-309
A10	Flange collar	Ø70x20	1	539-302	539-302	539-302
A11	Snap shackle	70 mm	1	307-337	307-337	307-337
A12	Sliding sleeve half	30x90	2	-	-	539-321

¹⁾ Only as a package A5-A6

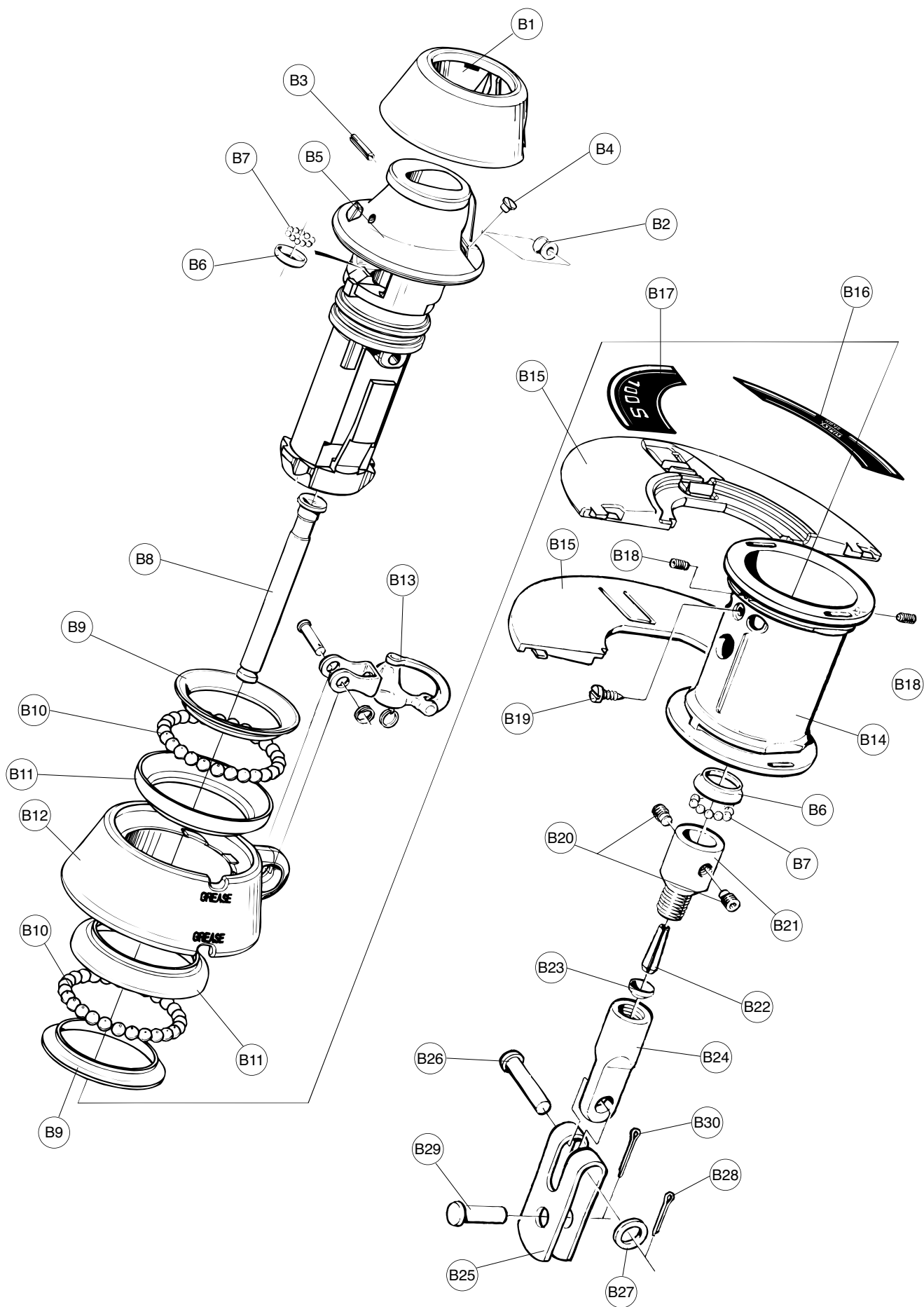


Lower swivel

Description B

Item	Description	Dimension	Qty	Forestay wire size		
				Ø4mm	Ø5mm	Ø6mm
		Assembly number	→	539-352-01	539-352-02	539-352-03
B1	Hub cover	Ø67x30	1	539-354	539-354	539-354
B2	Sheave	Ø14/6-10	1	504-344	504-344	504-344
B3	Spring pin	Ø5x20	1	166-513	166-513	166-513
B4	Screw	M6x10	1	319-573	319-573	319-573
B5	Inner hub	Ø70x154	1	539-352 ¹⁾	539-352 ¹⁾	539-352 ¹⁾
B6	Ball bearing ring - outer	Ø30x10	2	539-311	539-311	539-311
B7	Balls	Ø6	2x10	539-034	539-034	539-034
B8	Ball bearing tube	Ø19/13-125	1	539-307 ⁴⁾	539-307 ⁴⁾	539-307 ⁴⁾
B9	Ball bearing ring - inner	Ø57x7	2	539-309	539-309	539-309
B10	Balls	Ø6	2x27	539-034	539-034	539-034
B11	Ball bearing ring - outer	Ø62x11	2	539-310	539-310	539-310
B12	Tack ring	Ø93x35	1	539-355	539-355	539-355
B13	Snap shackle	70 mm	1	307-337	307-337	307-336
B14	Outer hub	Ø70x80	1	539-305 ²⁾	539-305 ²⁾	539-305 ²⁾
B15	Flange half	Ø150x8	4	539-358 ³⁾	539-358 ³⁾	539-358 ³⁾
B16	Label	72x25	2	591-367	591-367	591-367
B17	Label	72x25	2	591-399	591-399	591-399
B18	Grub screw	MSK 6SS 5x16	2	153-106	153-106	153-106
B19	Screw	RXS B4,8x9,5	1	171-019	171-019	171-019
B20	Grub screw	M6/4,8x8	2	153-103	153-103	153-103
B21	Ball bearing socket	Wire Ø marked	1	301-188 ⁴⁾	301-189 ⁴⁾	301-190 ⁴⁾
B22	Wedge	Wire Ø4	1	301-150	-	-
B22	Wedge	Wire Ø5	1	-	301-151	-
B22	Wedge	Wire Ø6	1	-	-	301-152
B23	Former	Wire Ø4	1	301-191	-	-
B23	Former	Wire Ø5	1	-	301-175	-
B23	Former	Wire Ø6	1	-	-	301-157
B24	Terminal eye fitting	Ø14x45	1	301-192 ⁷⁾	-	-
B24	Terminal eye fitting	Ø17x51	1	-	301-176 ⁷⁾	-
B24	Terminal eye fitting	Ø22x66	1	-	-	301-166 ⁷⁾
B25	Toggle/fork/fork	H(c/c)=25	1	517-056 ^{5/6)}	-	-
B25	Toggle/fork/fork	H(c/c)=30	1	-	517-054 ^{5/6)}	-
B25	Toggle/fork/fork	H(c/c)=40	1	-	-	517-046 ^{5/6)}
B26	Clevis pin	Ø8x27	1	165-113 ⁶⁾	-	-
B26	Clevis pin	Ø10x35	1	-	165-221 ⁶⁾	-
B26	Clevis pin	Ø12x36	1	-	-	165-409 ⁶⁾
B27	Washer	Ø16/8-1,5	1	164-401 ⁶⁾	-	-
B27	Washer	Ø18/10-2	1	-	164-402 ⁶⁾	-
B27	Washer	Ø24/13-2,5	1	-	-	164-404 ⁶⁾

(To be continued on page 8)

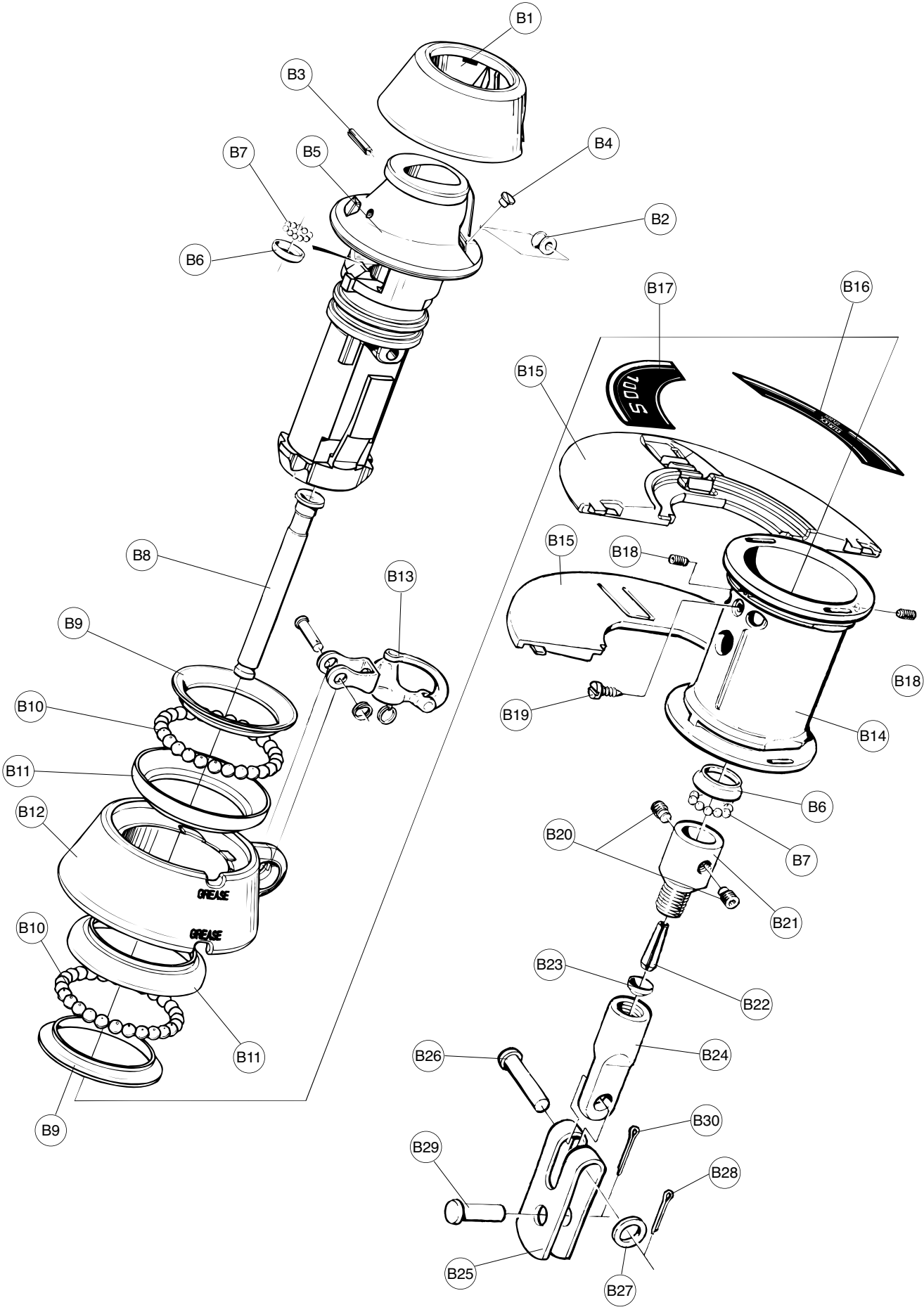


Lower swivel (Continued from page 6)

Description B

Item	Description	Dimension	Qty	Forestay wire size		
				Ø4mm	Ø5mm	Ø6mm
B28	Split pin	Ø2,3x12	1	301-047 ⁶⁾	-	-
B28	Split pin	Ø2,9x16	1	-	301-049 ⁶⁾	-
B28	Split pin	Ø2,9x18	1	-	-	301-050 ⁶⁾
B29	Clevis pin	Ø8x18	1	165-101 ⁵⁾⁶⁾	-	-
B29	Clevis pin	Ø10x22	1	-	165-202 ⁵⁾⁶⁾	517-046 ⁵⁾⁶⁾
B30	Split pin	Ø2,9x12	1	301-047 ⁵⁾⁶⁾	-	-
B30	Split pin	Ø2,9x16	1	-	301-049 ⁵⁾⁶⁾	301-049 ⁵⁾⁶⁾

^{*)}	Alt. Use a standard STA-LOK eye					
¹⁾	Only as a package B1-B5	1	539-352-05	539-352-05	539-352-05	539-352-05
²⁾	Only as a package B14,B18 - B19	1	539-305-01	539-305-01	539-305-01	539-305-01
³⁾	Only as a package B15 - B17	1	539-358-01	539-358-01	539-358-01	539-358-01
⁴⁾	Only as a package B8, B20 - B24	1	301-188-02	301-189-02	301-190-02	301-190-02
⁵⁾	B25, B29 - B30 also as a package	1	517-056-01	517-054-01	517-046-01	517-046-01
⁶⁾	B25 - B30 also as a package	1	517-056-02	517-054-02	517-046-02	517-046-02



Line guard bracket assembly

Description C

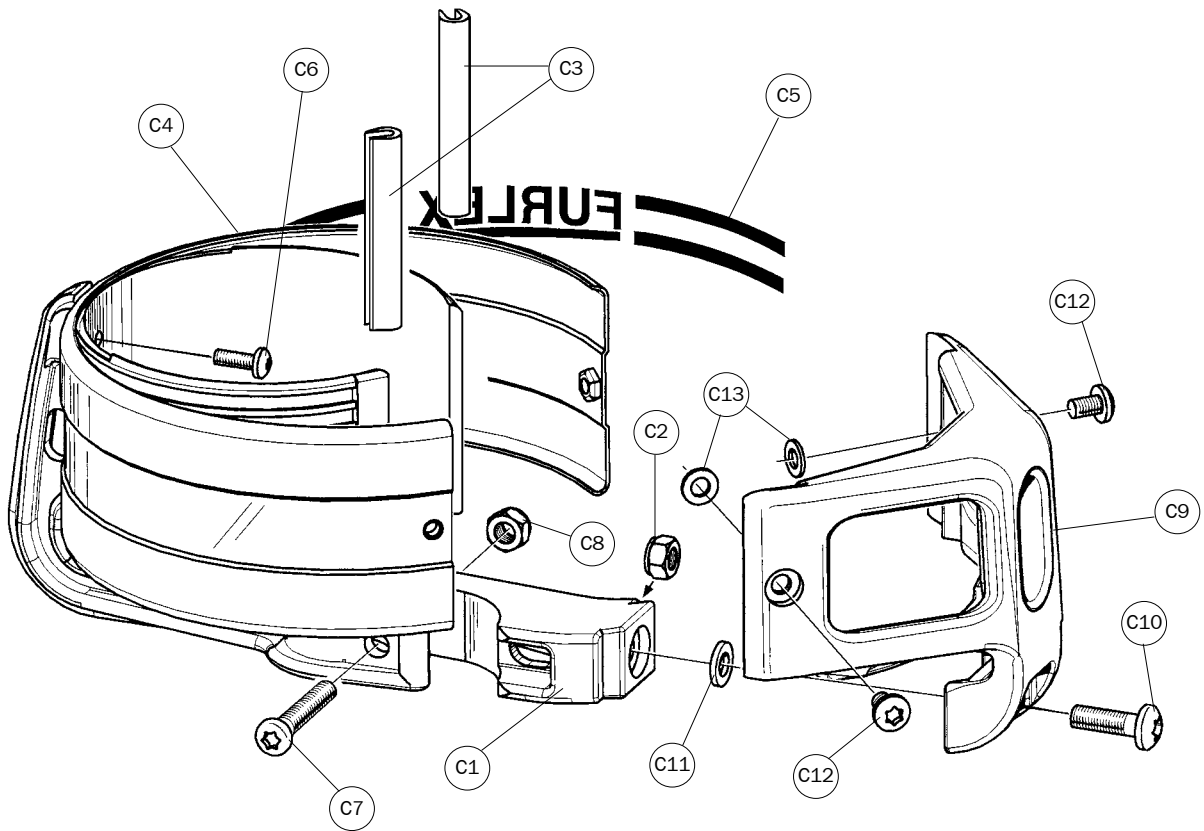
Item	Description	Dimension	Qty	Forestay wire size		
				Ø4mm	Ø5mm	Ø6mm
		Assembly number	→	539-359-01	539-359-01	539-359-01
C1	Line guard bracket	102x179	1	539-359 ¹⁾	539-359 ¹⁾	539-359 ¹⁾
C2	Locking nut	M6	1	158-005	158-005	158-005
C3	Lineguard saver	9/8-59	2	539-319	539-319	539-319
C4	Cover	Ø152x60	1	539-380	539-380	539-380
C5	Label	16x176	2	591-366	591-366	591-366
C6	Screw	KFTS ST 4,8x13	1	171-034	171-034	171-034
C7	Screw	MRT 6x35	1	155-627	155-627	155-627
C8	Locking nut	M6	1	158-005	158-005	158-005

¹⁾	Only as a package C1-C2, C7 - C8		1	539-359-02	539-359-02	539-359-02
---------------	----------------------------------	--	---	------------	------------	------------

Line guide fitting assembly

Item	Description	Dimension	Qty	Forestay wire size		
				Ø4mm	Ø5mm	Ø6mm
		Assembly number	→	539-360-01	539-360-01	539-360-01
C9	Line guide fitting	128x91	1	539-360 ¹⁾	539-360 ¹⁾	539-360 ¹⁾
C10	Screw	MRT 6x20	1	155-621	155-621	155-621
C11	Retaining washer	Ø12/6-1,5	1	164-053	164-053	164-053
C12	Screw	MRT 5x10	2	155-618	155-618	155-618
C13	Retaining washer	Ø12/5-1,5	2	164-051	164-051	164-051

¹⁾	Only as a package C9 - C13		1	539-360-01	539-360-01	539-360-01
---------------	----------------------------	--	---	------------	------------	------------



Additional items

Description D

Item	Description	Dimension	Qty	Forestay wire size		
				Ø4mm	Ø5mm	Ø6mm
D1	Forestay wire	L=10 500	1	601-002-30	601-002-31	-
D1	Forestay wire	L=12 900	1	-	601-003-32	-
D1	Forestay wire	L=13 000	1	-	-	601-004-43
D2	Furling line	Ø8 L=20 000	1	612-034-04	612-034-04	612-034-04

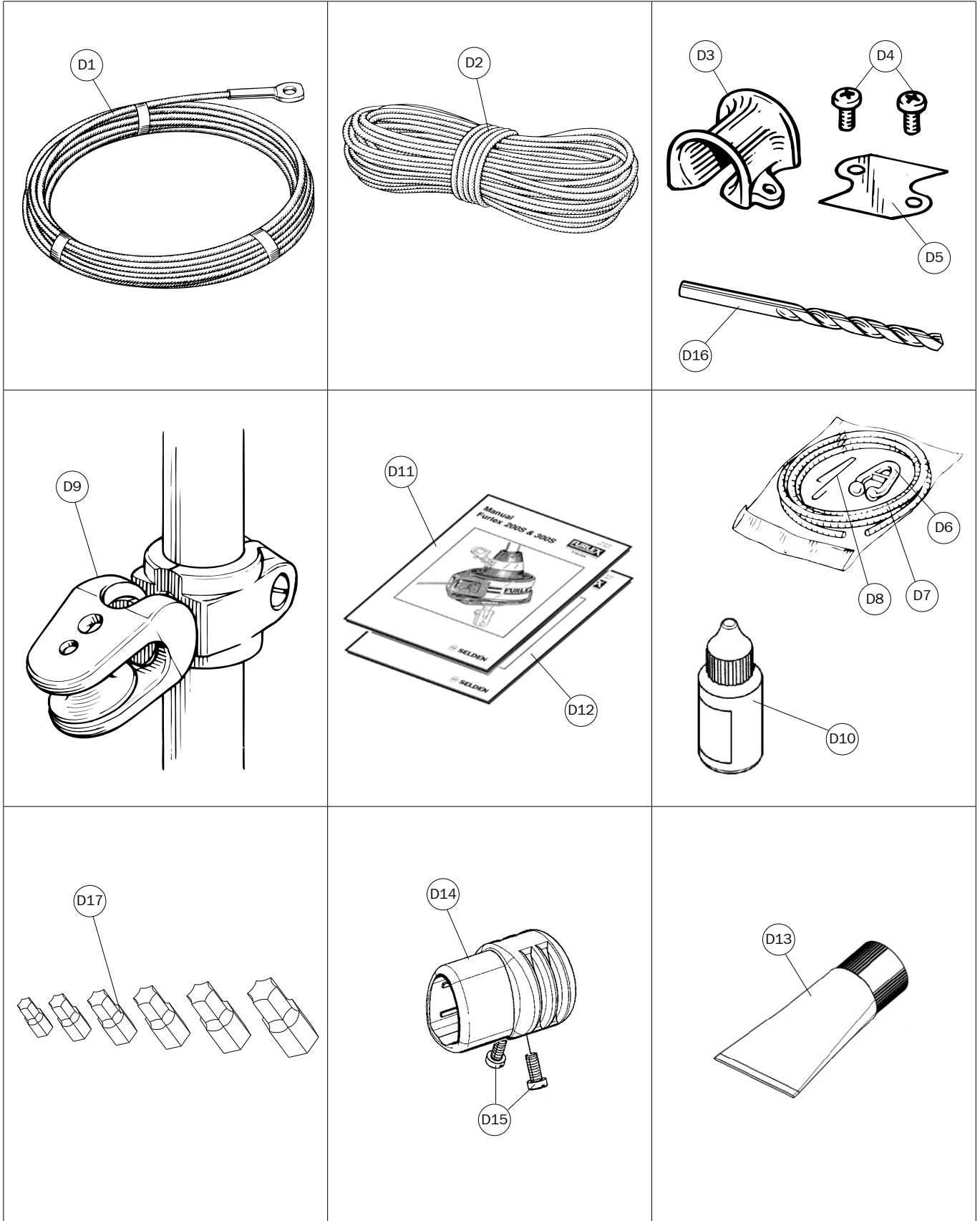
	Halyard lead set	Assembly number	→	508-159-03	508-159-03	508-159-03
D3	Halyard lead	Ø14-35	1	508-159 ⁴⁾	508-159 ⁴⁾	508-159 ⁴⁾
D4	Selftapping screw	MRX-TT 6x12	2	155-703 ⁴⁾	155-703 ⁴⁾	155-703 ⁴⁾
D5	Insulator	35x41	1	530-632 ⁴⁾	530-632 ⁴⁾	530-632 ⁴⁾

	Prefeeder package	Assembly number	→	505-538-02	505-538-02	505-538-02
D6	Prefeeder	Ø38X29	1	505-538 ²⁾	505-538 ²⁾	505-538 ²⁾
D7	Rubber cord	Ø6 L=1200	1	614-010-03 ²⁾	614-010-03 ²⁾	614-010-03 ²⁾
D8	Hook for rubber cord	Ø1,2X53	1	539-047 ²⁾	539-047 ²⁾	539-047 ²⁾

D9	Stanchion block	For Ø25 mm	1	538-971-01	538-971-01	538-971-01
D9	Stanchion block (4-pack)	For Ø25 mm	4	538-971-02	538-971-02	538-971-02
D10	Locking adhesive		1	312-305	312-305	312-305
D11	Manual (English text)	A4	1	595-102-E	595-102-E	595-102-E
D11	Manual (Swedish text)	A4	1	595-102-S	595-102-S	595-102-S
D11	Manual (German text)	A4	1	595-102-T	595-102-T	595-102-T
D12	Spare parts list	A4	1	595-103-E	595-103-E	595-103-E
D13	Lubricating grease	ca 100 gram	1	312-501	312-501	312-501

		Assembly number	→	539-313-01	539-313-01	539-313-01
D14	Top guard	Ø39x50	1	539-313 ³⁾	539-313 ³⁾	539-313 ³⁾
D15	Screw	CSS B4,8x9,5	2	171-019	171-019	171-019
D16	Drillbit	Ø5,3	1	592-006 ⁴⁾	592-006 ⁴⁾	592-006 ⁴⁾
D17	Torx bit set	T15/20/25/30/40/45	1	592-087	592-087	592-087

²⁾	Only as a package D6-D8	1	505-538-02	505-538-02	505-538-02
³⁾	Only as a package D14-D15	1	539-313-01	539-313-01	539-313-01
⁴⁾	Only as a package D3-D5, D16	1	508-159-03	508-159-03	508-159-03



Luff extrusion 1000mm

Description E

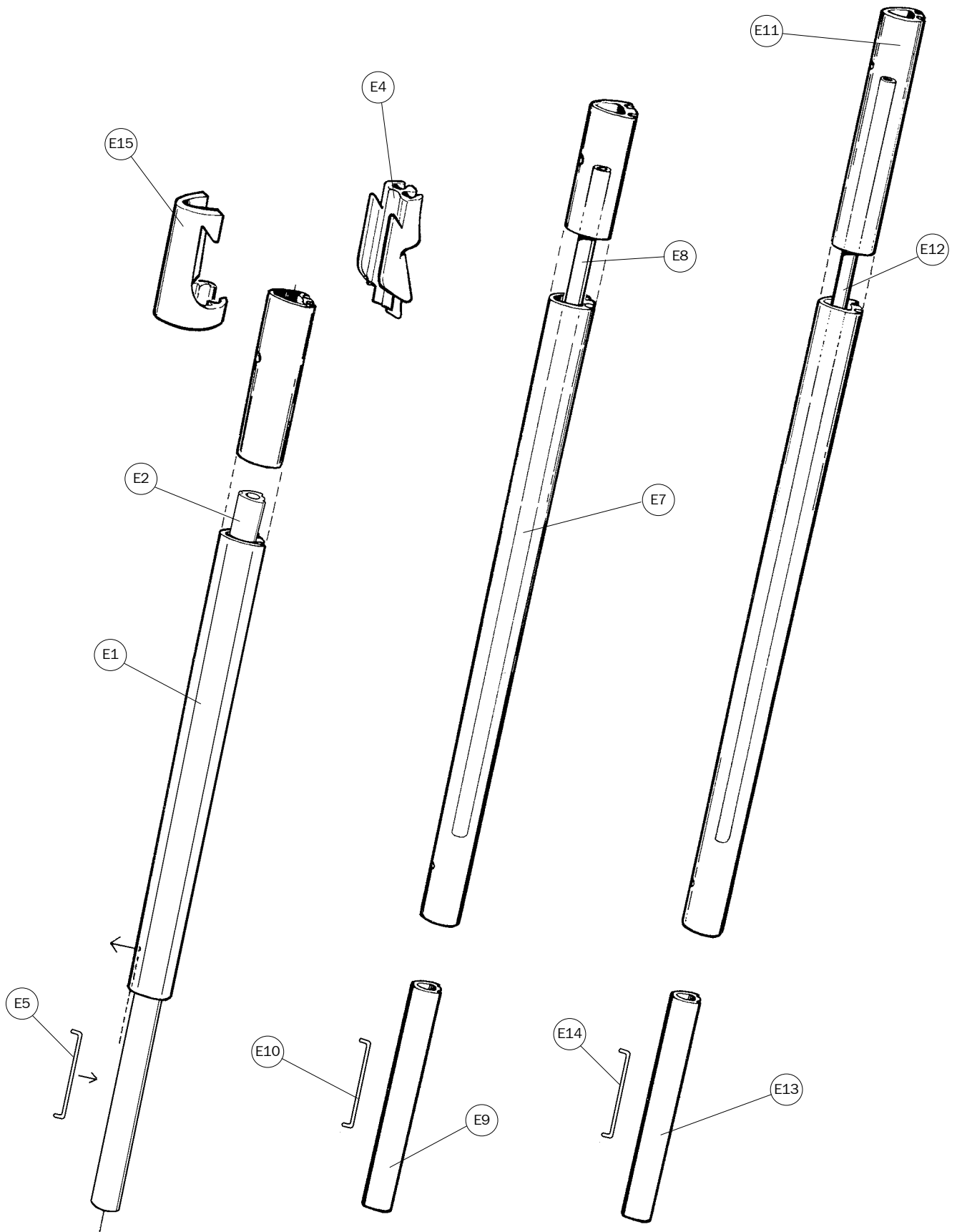
Item	Description	Dimension	Qty	Forestay wire size		
				Ø4mm	Ø5mm	Ø6mm
		Assembly number	→	539-316-01	539-316-01	539-316-01
E1	Luff extrusion	26/17, L=1000	1	539-316	539-316	539-316
E2	Joint sleeve	14/14, L=1168	1	539-367	539-367	539-367
E4	Sail feeder	50x20	1	539-324 ²⁾	539-324 ²⁾	539-324 ²⁾
E15	Sail feeder connector	5x20	1	539-325 ²⁾	539-325 ²⁾	539-325 ²⁾
E5	Connection spring	Ø3,2x103	1	308-018	308-018	308-018

Luff extrusion 2000mm

		Assembly number	→	539-315-01	539-315-01	539-315-01
E7	Luff extrusion	26/17, L=2000	1	539-315	539-315	539-315
E8	Distance tube	Ø12,3xØ6,9x1800	1	535-648	535-648	535-648
E9	Joint sleeve	14/14, L=200	1	539-318	539-318	539-318
E10	Connection spring	Ø3,2x144	1	308-022	308-022	308-022

Luff extrusion 2400mm

		Assembly number	→	539-314-01	539-314-01	539-314-01
E11	Luff extrusion	26/17, L=2400	1	539-314 ¹⁾	539-314 ¹⁾	539-314 ¹⁾
E12	Distance tube	Ø12,3xØ6,9x2200	1	535-649 ¹⁾	535-649 ¹⁾	535-649 ¹⁾
E13	Joint sleeve	14/14, L=200	1	539-318 ¹⁾	539-318 ¹⁾	539-318 ¹⁾
E14	Connection spring	Ø3,2x144	1	308-022 ¹⁾	308-022 ¹⁾	308-022 ¹⁾
¹⁾	E11-E14 also as a package		1	539-314-05	539-314-05	539-314-05
²⁾	Only as an assembly E4, E15		1	539-324-01	539-324-01	539-324-01



DINGHIES KEELBOATS YACHTS

Seldén Mast AB, Sweden
 Tel +46 (0)31 69 69 00
 Fax +46 (0)31 29 71 37
 e-mail info@seldenmast.com

Seldén Mast Limited, UK
 Tel +44 (0) 1329 504000
 Fax +44 (0) 1329 504049
 e-mail info@seldenmast.co.uk

Seldén Mast Inc., USA
 Tel +1 843-760-6278
 Fax +1 843-760-1220
 e-mail info@seldenus.com

Seldén Mast A/S, DK
 Tel +45 39 18 44 00
 Fax +45 39 27 17 00
 e-mail info@seldenmast.dk

Seldén Mid Europe B.V., NL
 Tel +31 (0) 111-698 120
 Fax +31 (0) 111-698 130
 e-mail info@seldenmast.nl

Seldén Mast SAS, FR
 Tel +33 (0) 251 362 110
 Fax +33 (0) 251 362 185
 e-mail info@seldenmast.fr

www.seldenmast.com

Dealer:

The Seldén Group is the world's leading manufacturer of masts and rigging systems in carbon and aluminium for dinghies, keelboats and yachts. The Group consists of Seldén Mast AB in Sweden, Seldén Mast A/S in Denmark, Seldén Mast Ltd in the UK, Seldén Mid Europe B.V. in the Netherlands, Seldén Mast SAS in France and Seldén Mast Inc in the USA. Our well known brands are Seldén and Furlex. The worldwide success of Furlex has enabled us to build a network of over 750 authorised dealers covering the world's marine markets. So wherever you sail, you can be sure of fast access to our service, spare parts and know-how.

 **SELDÉN**