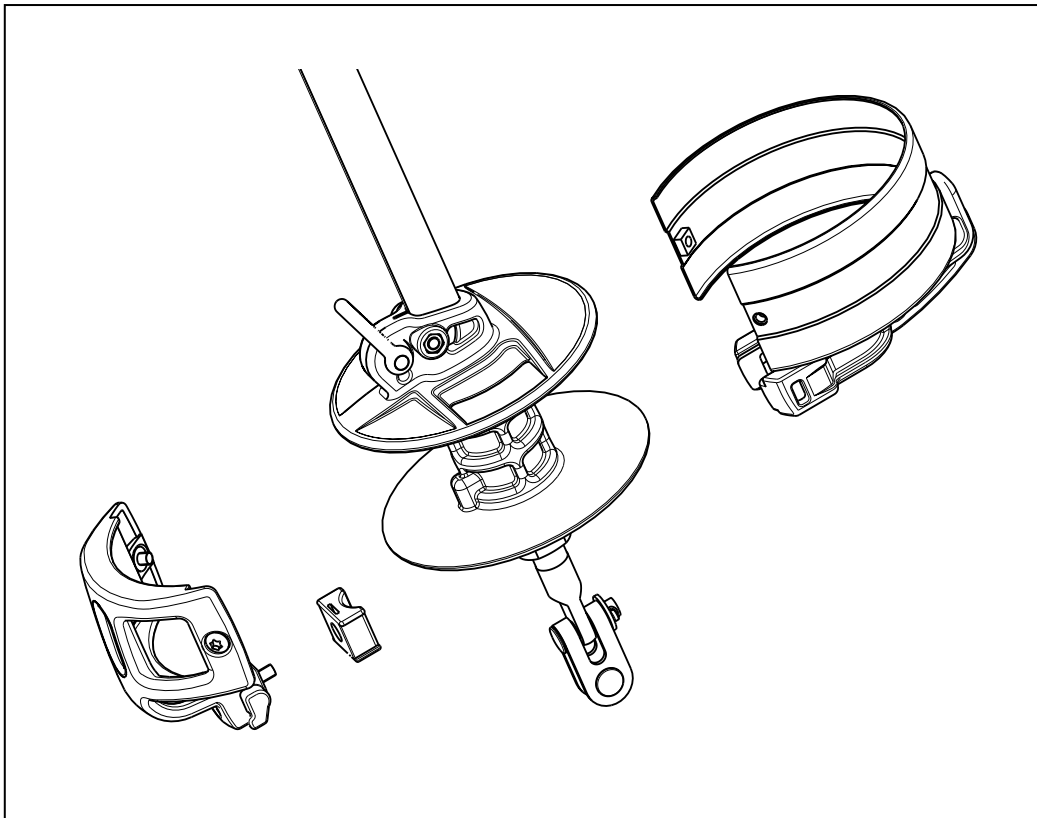




# Spare Parts List

## Furlex *50 S*



### Bäste Furlex-ägare

Furlex säljs genom ett nät av auktoriserade återförsäljare som täcker alla marina marknader runt om i världen.

Auktorisationen omfattar praktisk och teoretisk utbildning i hur Furlexsystemet är uppbyggt.

Denna kunskap innebär professionell service till Dig som Furlexägare.

Vi önskar dig mycket skön segling och hoppas att denna reservdelslista kan vara till nytta om du någon gång behöver kontakta en återförsäljare för professionella råd eller assistans.

### Dear Furlex-owner

Furlex is supplied via an extensive network of authorized dealers who cover the major sailing areas of the world.

The authorization ensures that each dealer is fully versed in the design, assembly and operation of Furlex - and is a guarantee of professional service. We wish you much enjoyable and carefree sailing and hope that this spare parts list will be of help if you ever require professional advice or assistance.

### Lieber Furlex-Eigner

Furlex wird über ein Netz autorisierter Fachhändler weltweit in allen Segelregionen verkauft.

Die Autorisierung dieser Fachhändler erfolgt durch eine theoretische und praktische Schulung im Aufbau des Furlex-Systems.

Dieses Können gewährleistet Ihnen als Furlex-Besitzer professionellen Service.

Wir wünschen Ihnen ein angenehmes Segeln und hoffen, daß Ihnen dieses Ersatzteilverzeichnis hilft bei eventuellem Bedarf eines Rates oder professioneller Hilfe.



#### **OBS!**

**Plocka ej isär fallsvirveln eller nedre lagringsdelen. Det kan vara svårt att återmontera dessa delar på ett korrekt sätt. Bland annat ligger lagerbanornas kulor löst monterade. Vid behov av service, kontakta din Furlexåterförsäljare.**



#### **NOTE!**

**Do not dismantle the halyard swivel or lower bearing assembly. You will find it difficult to re-assemble them correctly (the ball-bearings are loose and difficult to refit!). Contact your Furlex dealer if service is required.**



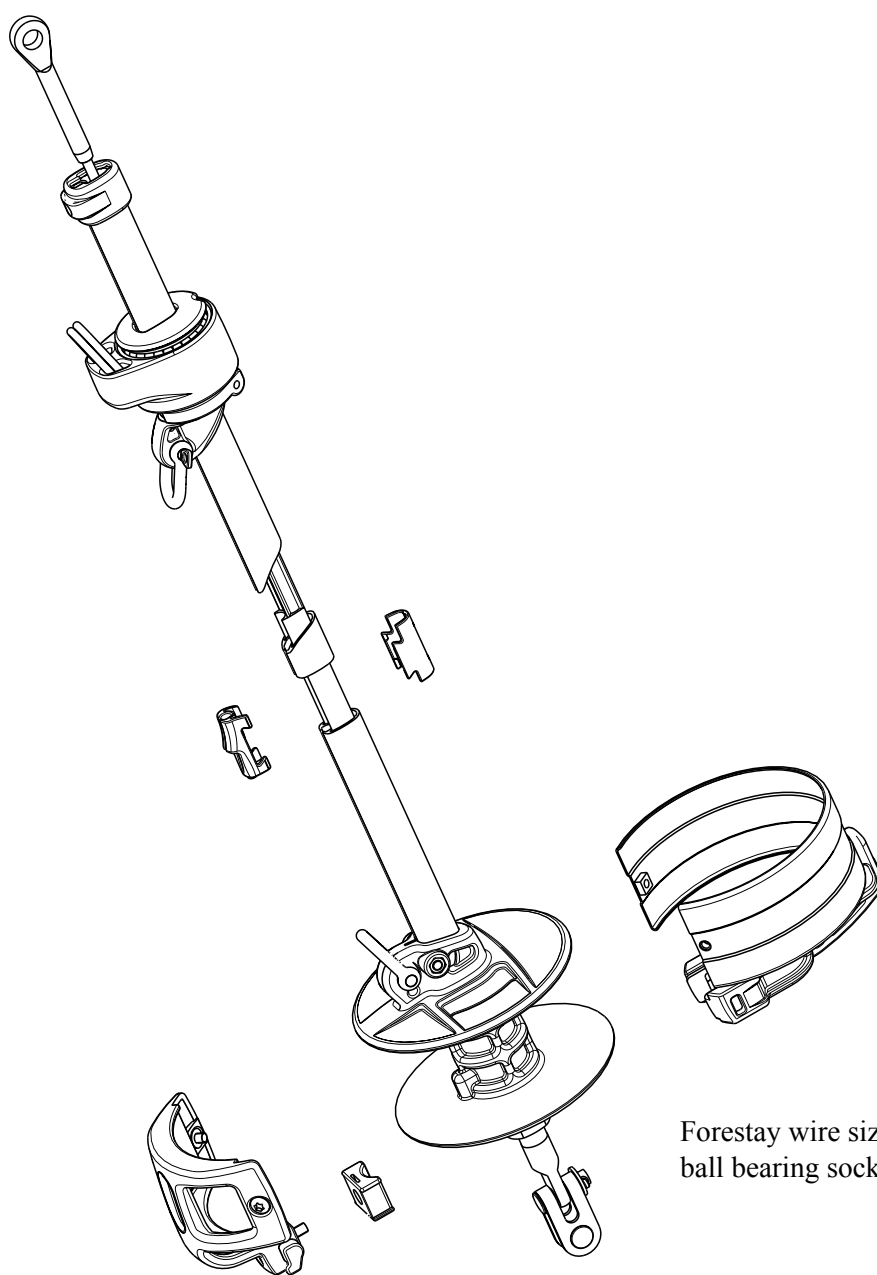
#### **ACHTUNG!**

**Nehmen Sie den Fallschlitten oder die untere Lagerung nicht auseinander. Es ist schwer diese wieder korrekt zu montieren. Unter anderem liegen die Kugeln lose montiert. Wenden Sie sich bei Bedarf an Ihren Furlex- Händler.**

Seldén Mast AB reserves the right to alter the design or specification without prior warning; to allow unrestricted future product development.

# Contents

|                                    | <i>Page</i> |
|------------------------------------|-------------|
| <i>Halyard swivel</i>              | 4           |
| <i>Lower swivel</i>                | 6           |
| <i>Line guard bracket assembly</i> | 8           |
| <i>Line guide fitting assembly</i> | 8           |
| <i>Additional Items</i>            | 10          |
| <i>Luff extrusions</i>             | 12          |
| <i>Notes</i>                       | 14          |

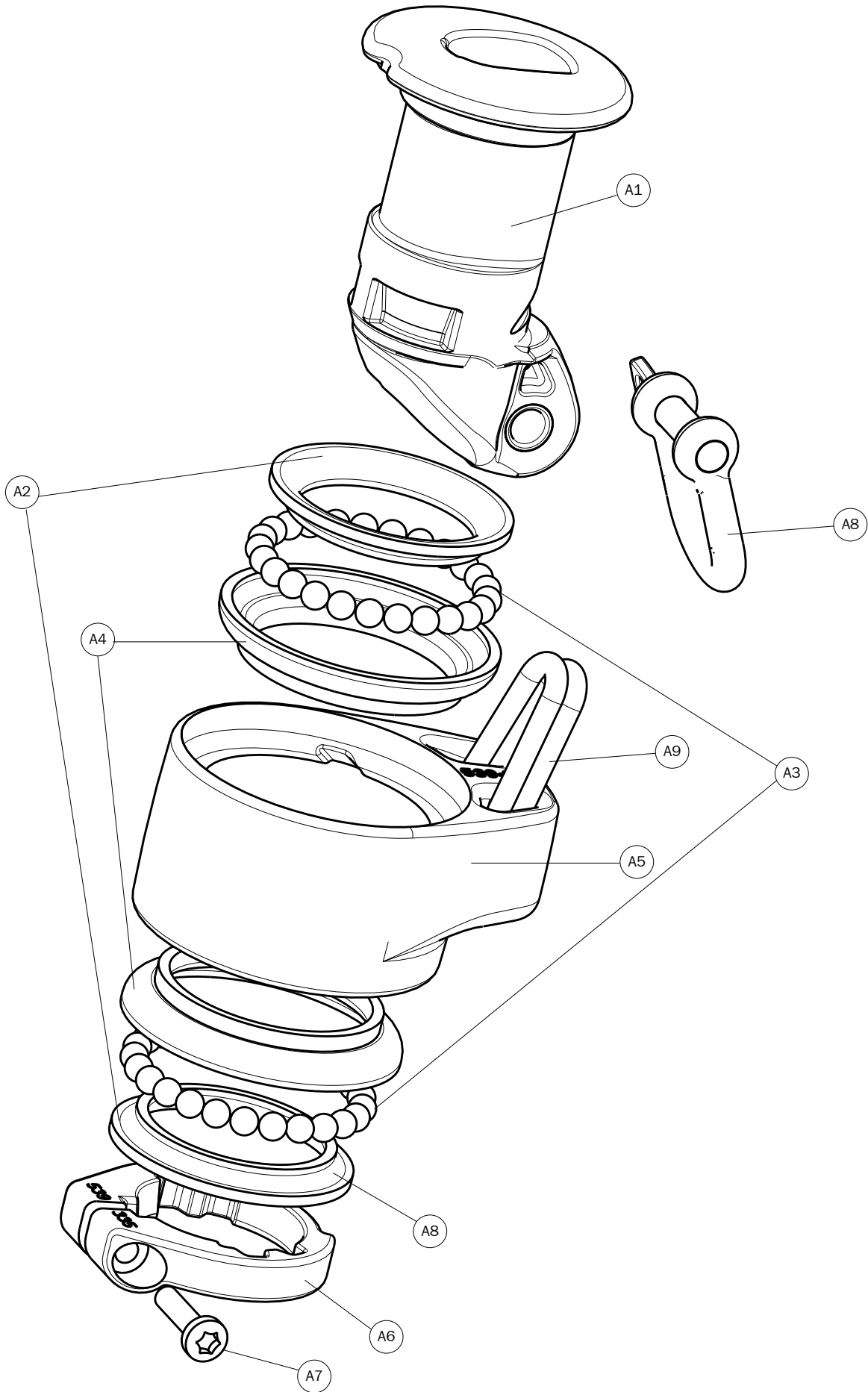


Forestay wire size is marked at the ball bearing socket. (Item B11).

# Halyard swivel

# Description A

|      |                           |                        |       | Forestay wire size |                   |
|------|---------------------------|------------------------|-------|--------------------|-------------------|
| Item | Description               | Dimension              | Qty   | Ø 4 mm             | Ø 5 mm            |
|      |                           | <b>Assembly number</b> | →     | <b>539-333-01</b>  | <b>539-333-01</b> |
| A1   | Hub - Halyard swivel      | Ø 49x80                | 1     | 539-333            | 539-333           |
| A2   | Ball bearing ring - inner | Ø 44x5                 | 2x1   | 539-337            | 539-337           |
| A3   | Balls                     | Ø 5                    | 2x25  | 539-033            | 539-033           |
| A4   | Ball bearing ring - outer | Ø 51x7                 | 2x1   | 539-336            | 539-336           |
| A5   | Eye Ring                  | Ø 55x33                | 1     | 539-334            | 539-334           |
| A6   | Collar                    | Ø 44x8                 | 1     | 539-335            | 539-335           |
| A7   | Selftapping screw         | 4.2x19                 | 1     | 171-040            | 171-040           |
| A8   | Shackle                   | Ø 6x13x24              | 1     | 307-082            | 307-082           |
| A9   | Halyard lashing           | HMPE Ø 4               | 0.5 m | 613-051            | 613-051           |

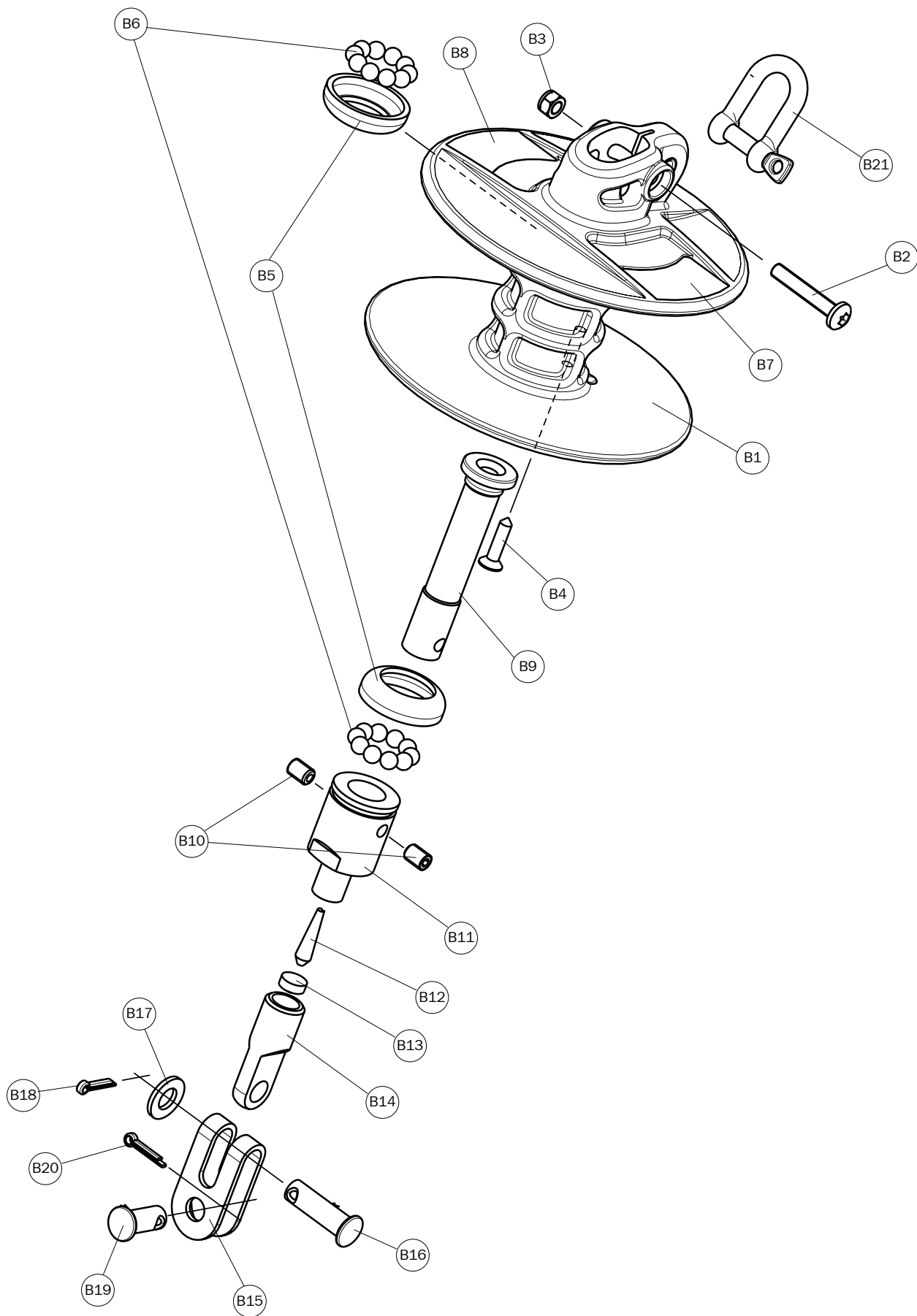


# Lower swivel

# Description B

| Item | Description               | Dimension              | Qty      | Forestay wire size      |                         |
|------|---------------------------|------------------------|----------|-------------------------|-------------------------|
|      |                           |                        |          | Ø 4 mm                  | Ø 5 mm                  |
|      |                           | <b>Assembly number</b> | <b>→</b> | <b>539-326-02</b>       | <b>539-326-03</b>       |
| B1   | Drum                      | Ø 125x100              | 1        | 539-326 <sup>1)</sup>   | 539-326 <sup>1)</sup>   |
| B2   | Screw                     | 5x30                   | 1        | 155-649                 | 155-649                 |
| B3   | Locking nut               | M5                     | 1        | 158-004                 | 158-004                 |
| B4   | Selftapping screw         | 4.2x19                 | 1        | 174-049                 | 174-049                 |
| B5   | Ball bearing ring - outer | Ø 30x10                | 2x1      | 539-311                 | 539-311                 |
| B6   | Balls                     | Ø 6                    | 2x10     | 539-034                 | 539-034                 |
| B7   | Label, "Furlex"           | 37x18                  | 1        | 591-708                 | 591-708                 |
| B8   | Label, "50S"              | 37x18                  | 1        | 591-709                 | 591-709                 |
| B9   | Ball bearing tube         | Ø 13.5x77              | 1        | 539-327                 | 539-327                 |
| B10  | Grub screw                | M6/4.8x8               | 2        | 153-103                 | 153-103                 |
| B11  | Ball bearing socket       | Wire Ø marked          | 1        | 301-188 <sup>2)</sup>   | 301-189 <sup>2)</sup>   |
| B12  | Wedge                     | Wire Ø 4               | 1        | 301-150                 | -                       |
| B12  | Wedge                     | Wire Ø 5               | 1        | -                       | 301-151                 |
| B13  | Former                    | Wire Ø 4               | 1        | 301-191                 | -                       |
| B13  | Former                    | Wire Ø 5               | 1        | -                       | 301-175                 |
| B14  | Terminal eye fitting      | Ø 14x45                | 1        | 301-192 <sup>3)</sup>   | -                       |
| B14  | Terminal eye fitting      | Ø 17x51                | 1        | -                       | 301-176 <sup>3)</sup>   |
| B15  | Toggle/fork/fork          | H(c/c)=25              | 1        | 517-056 <sup>3)4)</sup> | -                       |
| B15  | Toggle/fork/fork          | H(c/c)=30              | 1        | -                       | 517-054 <sup>3)4)</sup> |
| B16  | Clevis pin                | Ø 8x27                 | 1        | 165-113 <sup>4)</sup>   | -                       |
| B16  | Clevis pin                | Ø 10x35                | 1        | -                       | 165-221 <sup>4)</sup>   |
| B17  | Washer                    | Ø 16/8-1.5             | 1        | 165-401 <sup>4)</sup>   | -                       |
| B17  | Washer                    | Ø 18/10-2              | 1        | -                       | 165-402 <sup>4)</sup>   |
| B18  | Split pin                 | Ø 2.3x12               | 1        | 301-047 <sup>4)</sup>   | -                       |
| B18  | Split pin                 | Ø 2.9x16               | 1        | -                       | 301-049 <sup>4)</sup>   |
| B19  | Clevis pin                | Ø 8x18                 | 1        | 165-101 <sup>3)4)</sup> | -                       |
| B19  | Clevis pin                | Ø 10x22                | 1        | -                       | 165-202 <sup>3)4)</sup> |
| B20  | Split pin                 | Ø 2.3x12               | 1        | 301-047 <sup>3)4)</sup> | -                       |
| B20  | Split pin                 | Ø 2.9x16               | 1        | -                       | 301-049 <sup>3)4)</sup> |
| B21  | Shackle                   | Ø 6x13x24              | 1        | 307-082                 | 307-082                 |

|               |                                    |   |            |            |  |
|---------------|------------------------------------|---|------------|------------|--|
| <sup>3)</sup> | Alt. use a standard STA-LOK eye    |   |            |            |  |
| <sup>1)</sup> | Only as a package B1 - B4, B7 - B8 | 1 | 539-326-04 | 539-326-04 |  |
| <sup>2)</sup> | Only as a package B10 - B14        | 1 | 301-188-01 | 301-189-01 |  |
| <sup>3)</sup> | B15, B19 - B20 also as a package   | 1 | 517-056-01 | 517-054-01 |  |
| <sup>4)</sup> | B15 - B20 also as a package        | 1 | 517-056-02 | 517-054-02 |  |



## Line guard bracket assembly

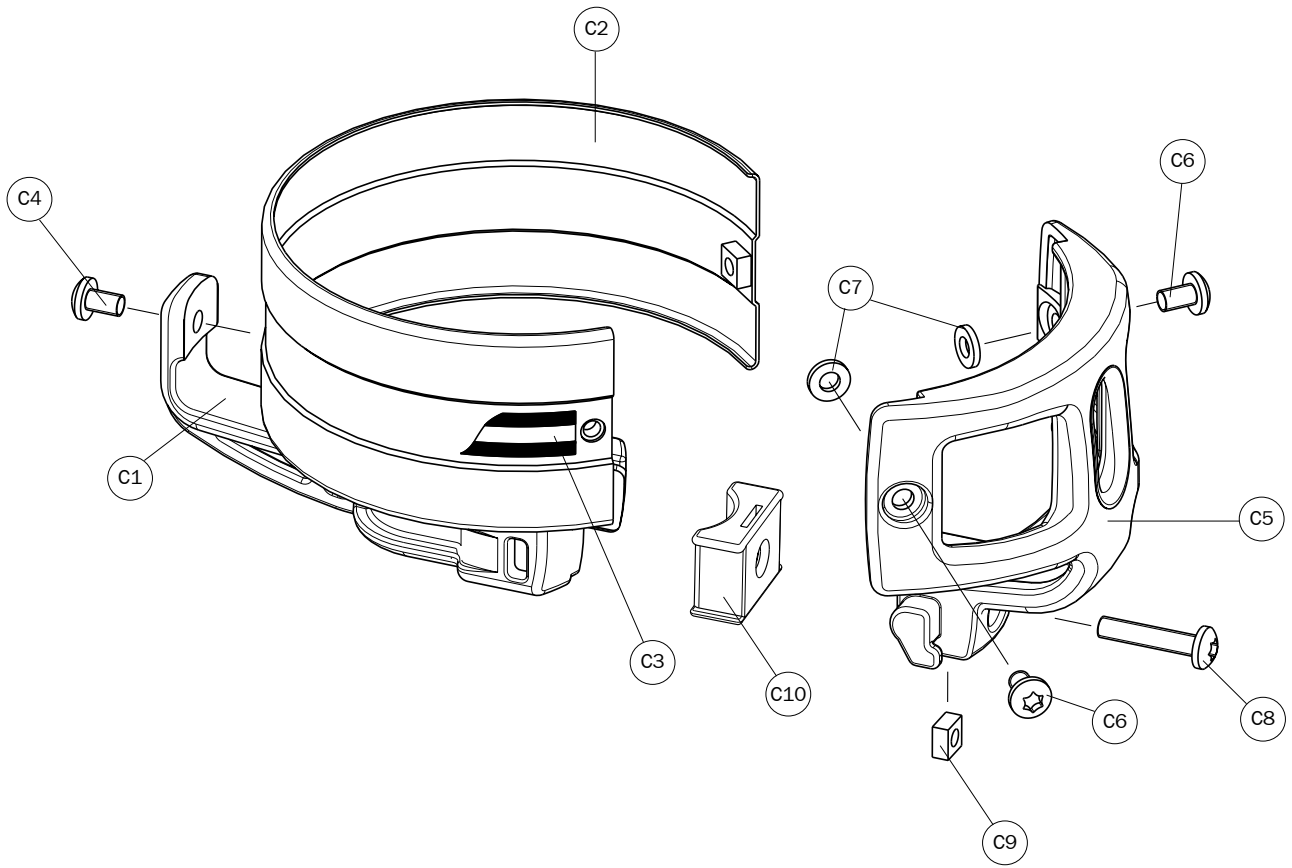
## Description C

|      |                    |                        |     | Forestay wire size |                   |
|------|--------------------|------------------------|-----|--------------------|-------------------|
| Item | Description        | Dimension              | Qty | Ø 4 mm             | Ø 5 mm            |
|      |                    | <b>Assembly number</b> | →   | <b>539-328-01</b>  | <b>539-328-01</b> |
| C1   | Line guard bracket | 48x115                 | 1   | 539-328            | 539-328           |
| C2   | Cover              | Ø 120x50               | 1   | 539-329            | 539-329           |
| C3   | Label              | 130x15                 | 2   | 591-711            | 591-711           |
| C4   | Screw              | MRT 5x8                | 1   | 155-607            | 155-607           |
| C10  | Lock block         | 23x20                  | 1   | 539-332            | 539-332           |

## Line guide fitting assembly

|               |                           |                        |     | Forestay wire size    |                       |
|---------------|---------------------------|------------------------|-----|-----------------------|-----------------------|
| Item          | Description               | Dimension              | Qty | Ø 4 mm                | Ø 5 mm                |
|               |                           | <b>Assembly number</b> | →   | <b>539-330-01</b>     | <b>539-330-01</b>     |
| C5            | Line guide fitting        | 110x88                 | 1   | 539-330 <sup>1)</sup> | 539-330 <sup>1)</sup> |
| C6            | Screw                     | MRT 5x8                | 2   | 155-607               | 155-607               |
| C7            | Retaining washer          | 10/5-3                 | 2   | 164-043               | 164-043               |
| C8            | Screw                     | MRT 5x25               | 1   | 155-619               | 155-619               |
| C9            | Square nut                | M5                     | 1   | 164-511               | 164-511               |
| <sup>1)</sup> | Only as a package C5 - C9 |                        | 1   | 539-330-01            | 539-330-01            |





## Additional items

## Description D

| Item | Description   | Dimension    | Qty | Forestay wire size |            |
|------|---------------|--------------|-----|--------------------|------------|
|      |               |              |     | Ø 4mm              | Ø 5 mm     |
| D1   | Forestay wire | L=10 500     | 1   | 601-002-30         | 601-003-31 |
| D1   | Forestay wire | L=12 900     | 1   | -                  | 601-003-32 |
| D2   | Furling line  | Ø 6 L=15 000 | 1   | 611-001-04         | 611-001-04 |

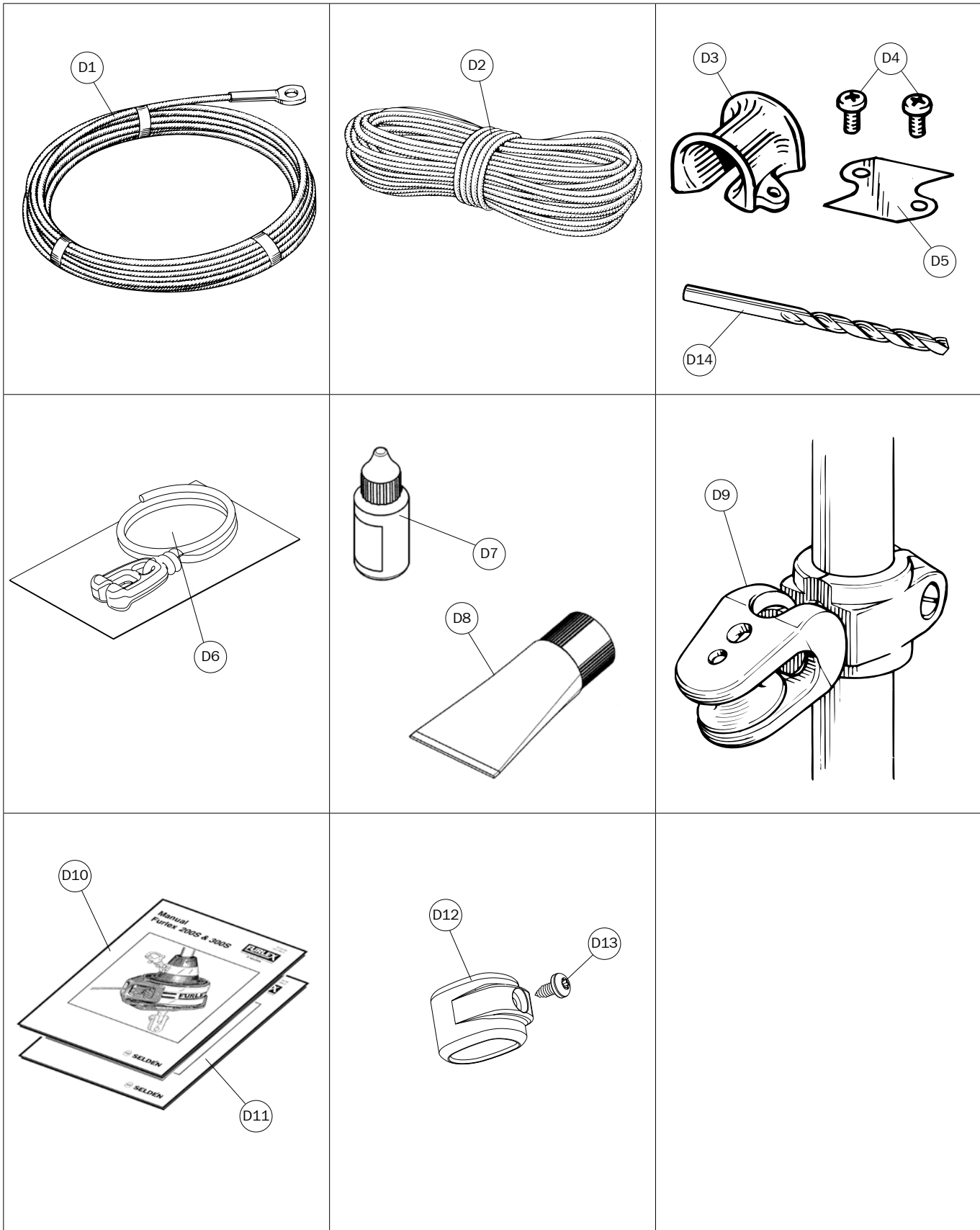
|    | Halyard lead set  | Assembly number | → | 508-159-03            | 508-159-03            |
|----|-------------------|-----------------|---|-----------------------|-----------------------|
| D3 | Halyard lead      | Ø 14-35         | 1 | 508-159 <sup>2)</sup> | 508-159 <sup>2)</sup> |
| D4 | Selftapping screw | MRX-TT 6x12     | 2 | 155-703 <sup>2)</sup> | 155-703 <sup>2)</sup> |
| D5 | Insulator         | 35x41           | 1 | 530-632 <sup>2)</sup> | 530-632 <sup>2)</sup> |

|     |                          |             |   |            |            |
|-----|--------------------------|-------------|---|------------|------------|
| D6  | Prefeeder pack           |             | 1 | 505-538-01 | 505-538-01 |
| D7  | Locking adhesive         |             | 1 | 312-305    | 312-305    |
| D8  | Lubricating grease       | ca 100 gram | 1 | 312-501    | 312-501    |
| D9  | Stanchion block          | For Ø 25 mm | 1 | 538-971-01 | 538-971-01 |
| D9  | Stanchion block (4-pack) | For Ø 25 mm | 4 | 538-971-02 | 538-971-02 |
| D10 | Manual (English text)    | A4          | 1 | 595-982-E  | 595-982-E  |
| D10 | Manual (Swedish text)    | A4          | 1 | 595-982-S  | 595-982-S  |
| D10 | Manual (German text)     | A4          | 1 | 595-982-T  | 595-982-T  |
| D11 | Spare parts list         | A4          | 1 | 595-983-E  | 595-983-E  |

|     |           | Assembly number | → | 539-356-01            | 539-356-01            |
|-----|-----------|-----------------|---|-----------------------|-----------------------|
| D12 | Top guard | Ø 39x50         | 1 | 539-356 <sup>1)</sup> | 539-356 <sup>1)</sup> |
| D13 | Screw     | RTS 4.2x9.5     | 1 | 171-056               | 171-056               |

|     |          |       |   |                       |                       |
|-----|----------|-------|---|-----------------------|-----------------------|
| D14 | Drillbit | Ø 5.3 | 1 | 592-006 <sup>2)</sup> | 592-006 <sup>2)</sup> |
|-----|----------|-------|---|-----------------------|-----------------------|

|               |                              |  |   |            |            |
|---------------|------------------------------|--|---|------------|------------|
| <sup>1)</sup> | Only as a package D12-D13    |  | 1 | 539-356-01 | 539-356-01 |
| <sup>2)</sup> | Only as a package D3-D5, D14 |  | 1 | 508-159-03 | 508-159-03 |



**Luff extrusion 600mm****Description E**

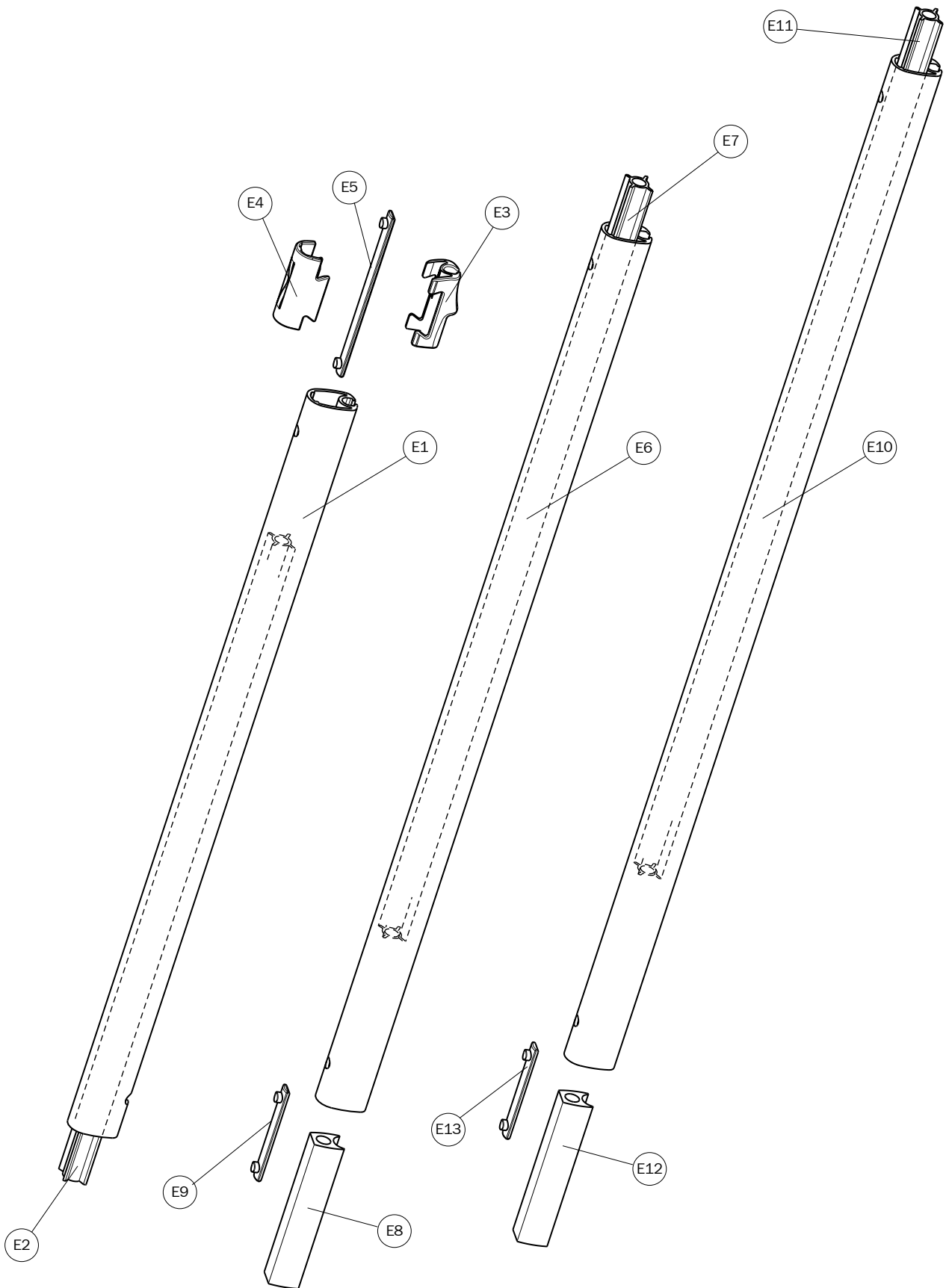
| Item | Description           | Dimension              | Qty      | Forestay wire size    |                       |
|------|-----------------------|------------------------|----------|-----------------------|-----------------------|
|      |                       |                        |          | Ø4mm                  | Ø5mm                  |
|      |                       | <b>Assembly number</b> | <b>→</b> | <b>539-361-01</b>     | <b>539-361-01</b>     |
| E1   | Luff extrusion        | 22x15 L=600            | 1        | 539-361               | 539-361               |
| E2   | Distance tube         | 12x10 x 535            | 1        | 539-348               | 539-348               |
| E3   | Sail feeder           | 35x16                  | 1        | 539-357 <sup>2)</sup> | 539-357 <sup>2)</sup> |
| E4   | Sail feeder connector | 35x16                  | 1        | 539-342 <sup>2)</sup> | 539-342 <sup>2)</sup> |
| E5   | Connection plate      | 80x7                   | 1        | 539-353               | 539-353               |

**Luff extrusion 2000mm**

|    |                  | <b>Assembly number</b> | <b>→</b> | <b>539-362-01</b> | <b>539-362-01</b> |
|----|------------------|------------------------|----------|-------------------|-------------------|
| E6 | Luff extrusion   | 22x15 L=2000           | 1        | 539-362           | 539-362           |
| E7 | Distance tube    | 12x10 x L=1900         | 1        | 539-349           | 539-349           |
| E8 | Joint sleeve     | 11x10 L=200            | 1        | 539-364           | 539-364           |
| E9 | Connection plate | 45x7                   | 1        | 539-351           | 539-351           |

**Luff extrusion 2400mm**

|               |                           | <b>Assembly number</b> | <b>→</b> | <b>539-363-01</b>     | <b>539-363-01</b>     |
|---------------|---------------------------|------------------------|----------|-----------------------|-----------------------|
| E10           | Luff extrusion            | 22x15 L=2400           | 1        | 539-363 <sup>1)</sup> | 539-363 <sup>1)</sup> |
| E11           | Distance tube             | 12x10 x2200            | 1        | 539-350 <sup>1)</sup> | 539-350 <sup>1)</sup> |
| E12           | Joint sleeve              | 11x10 L=200            | 1        | 539-364 <sup>1)</sup> | 539-364 <sup>1)</sup> |
| E13           | Connection plate          | 45x7                   | 1        | 539-351 <sup>1)</sup> | 539-351 <sup>1)</sup> |
| <sup>1)</sup> | E10-E13 also as a package |                        | 1        | 539-363-05            | 539-363-05            |
| <sup>2)</sup> | Only as an assembly E3-E4 |                        | 1        | 539-357-01            | 539-357-01            |





# Notes

A series of horizontal dotted lines for writing notes, spanning most of the page width and arranged in approximately 24 rows.

# DINGHIES KEELBOATS YACHTS

**Seldén Mast AB, Sweden**  
 Tel +46 (0)31 69 69 00  
 Fax +46 (0)31 29 71 37  
 e-mail [info@seldenmast.com](mailto:info@seldenmast.com)

**Seldén Mast Limited, UK**  
 Tel +44 (0) 1329 504000  
 Fax +44 (0) 1329 504049  
 e-mail [info@seldenmast.co.uk](mailto:info@seldenmast.co.uk)

**Seldén Mast Inc., USA**  
 Tel +1 843-760-6278  
 Fax +1 843-760-1220  
 e-mail [info@seldenus.com](mailto:info@seldenus.com)

**Seldén Mast A/S, DK**  
 Tel +45 39 18 44 00  
 Fax +45 39 27 17 00  
 e-mail [info@seldenmast.dk](mailto:info@seldenmast.dk)

**Seldén Mid Europe B.V., NL**  
 Tel +31 (0) 111-698 120  
 Fax +31 (0) 111-698 130  
 e-mail [info@seldenmast.nl](mailto:info@seldenmast.nl)

**Seldén Mast SAS, FR**  
 Tel +33 (0) 251 362 110  
 Fax +33 (0) 251 362 185  
 e-mail [info@seldenmast.fr](mailto:info@seldenmast.fr)

[www.seldenmast.com](http://www.seldenmast.com)

Dealer:

The Seldén Group is the world's leading manufacturer of masts and rigging systems in carbon and aluminium for dinghies, keelboats and yachts. The Group consists of Seldén Mast AB in Sweden, Seldén Mast A/S in Denmark, Seldén Mast Ltd in the UK, Seldén Mid Europe B.V. in the Netherlands, Seldén Mast SAS in France and Seldén Mast Inc in the USA. Our well known brands are Seldén and Furlex. The worldwide success of Furlex has enabled us to build a network of over 750 authorised dealers covering the world's marine markets. So wherever you sail, you can be sure of fast access to our service, spare parts and know-how.



**SELDÉN**